

$\frac{3}{16}$ " THK. ALUM. COVER PLATE, MILL FINISH

CONT. ALUM. EXTRUSION, MILL FINISH

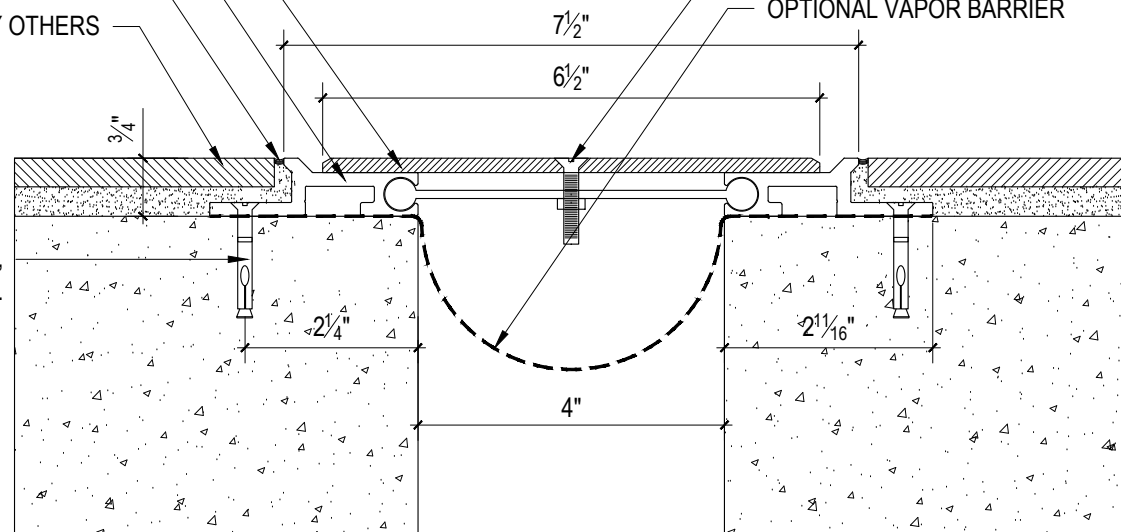
CONT. CAULKING, BY INSTALLER, TYP.

FLOOR FINISH PER ARCH, BY OTHERS

MHP FASTENERS w/ SST CENTERING BARS @ 20" O.C. MAX.

OPTIONAL VAPOR BARRIER

FH ANCHORS @ 18" O.C. MAX.,  
BY INSTALLER, TYP.



**M.H. POWELL & CO., INC.**

ARCHITECTURAL SEISMIC EXPANSION JOINT SYSTEMS

2313 YATES AVENUE | PHONE : (323) 887-0037  
 COMMERCE, CA 90040 | FAX : (323) 887-0877  
 WEB : www.mhpowell.net

**MODEL  
NBSF-4**

FLOOR TO FLOOR EJC

PROJECT : \_\_\_\_\_ PROJECT # : \_\_\_\_\_  
 LOCATION : \_\_\_\_\_ DATE : \_\_\_\_\_  
 ARCHITECT : \_\_\_\_\_  
 CUSTOMER : \_\_\_\_\_

PAGE #